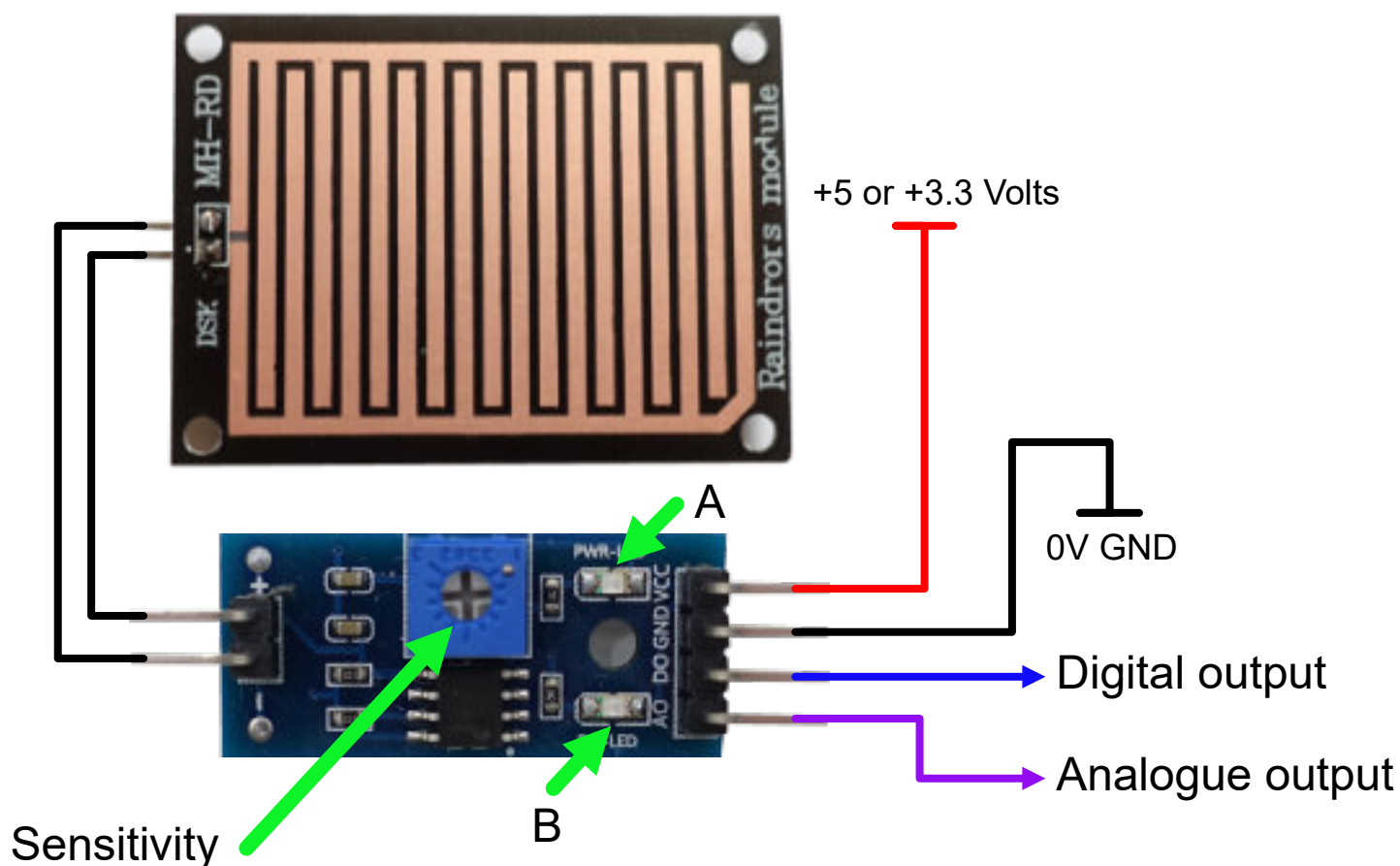


Connections



Operation

This module can be used to detect snowflakes, raindrops or just used for moisture detection.

Operational voltage (Vcc) is either 3.3 or 5 volts DC. Do not exceed 5V.

The Digital output is High (+Vcc) when the sensor is bone dry and goes Low (0V) when the moisture level exceeds the setting set by the sensitivity preset.

The Digital output sensitivity is set by rotating the on-board preset, turning the preset in an anti-clockwise direction makes the output less sensitive (i.e. the sensor needs to be wetter to turn the digital output on (Low). Turning the preset clockwise increases the sensitivity allowing the output to turn on (Low) when the sensor is less wet. The Sensitivity setting has no effect on the Analogue output.

The Analogue output exerts a varying voltage depending on the wetness of the sensor. The output will be equal to the supply voltage (3.3 or 5 volts) when the sensor is bone dry. When the sensor is soaking the output will reduce to approximately 0.7 volts for a 3.3 volt supply or about 1 volt for a 5 volt supply.

The module has a power on indicator LED (A) and LED B used to indicate when the Digital output is on (Low)