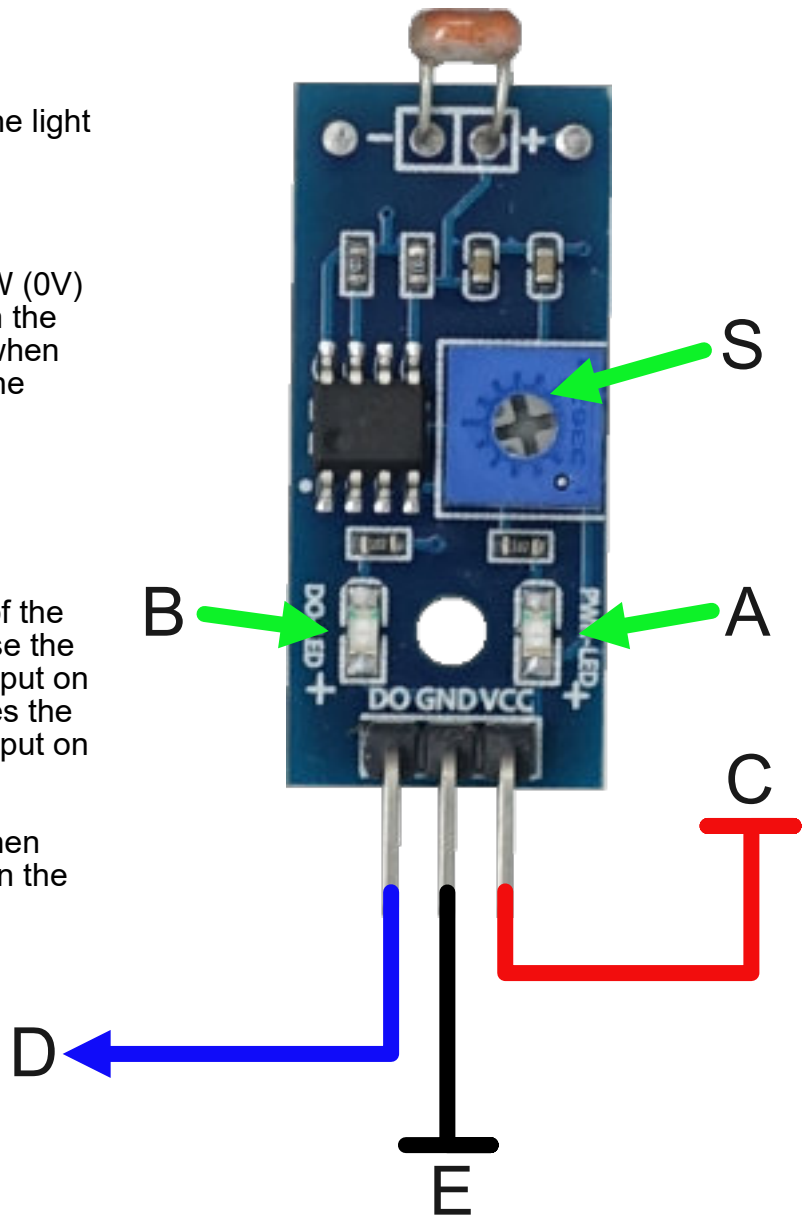


Connections

- A Power indicator LED
- B Light detection LED. Turns on when the light level is brighter than the preset value.
- C +Ve Supply 3.3 or 5 volts.
- D Logic output signal. The output is LOW (0V) when the ambient light is brighter than the preset value. The output goes HIGH when the ambient light is darker than the preset value
- E 0V GND

S Adjusts the light detection sensitivity of the module. Turning clockwise will increase the darkness level required to turn the output on (HIGH). Turning anti-clockwise reduces the darkness level required to turn the output on (HIGH).

Note The LED indicator illuminates when the output is Off (LOW) and is off when the output is On (HIGH)



This module will detect the ambient light level. When the light is greater than the preset value the output will be LOW (0V). If the ambient light is darker than the preset value the the output goes High (either 3.3 volts or 5 volts depending on supply voltage).

The unit may be operated on either 3.3 or 5 volts