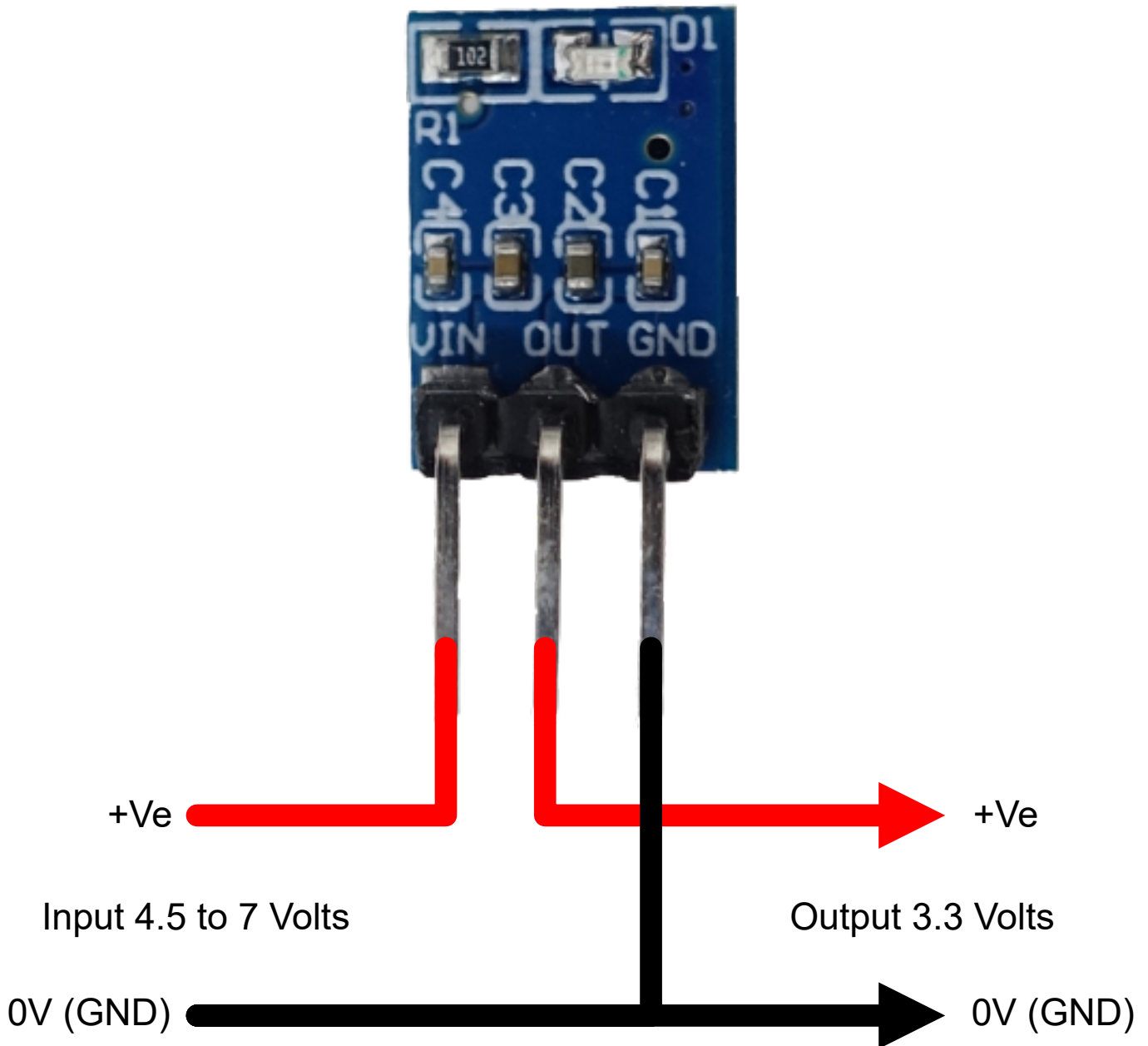


Connections



The output current should not exceed 800mA peak and 400mA continuous