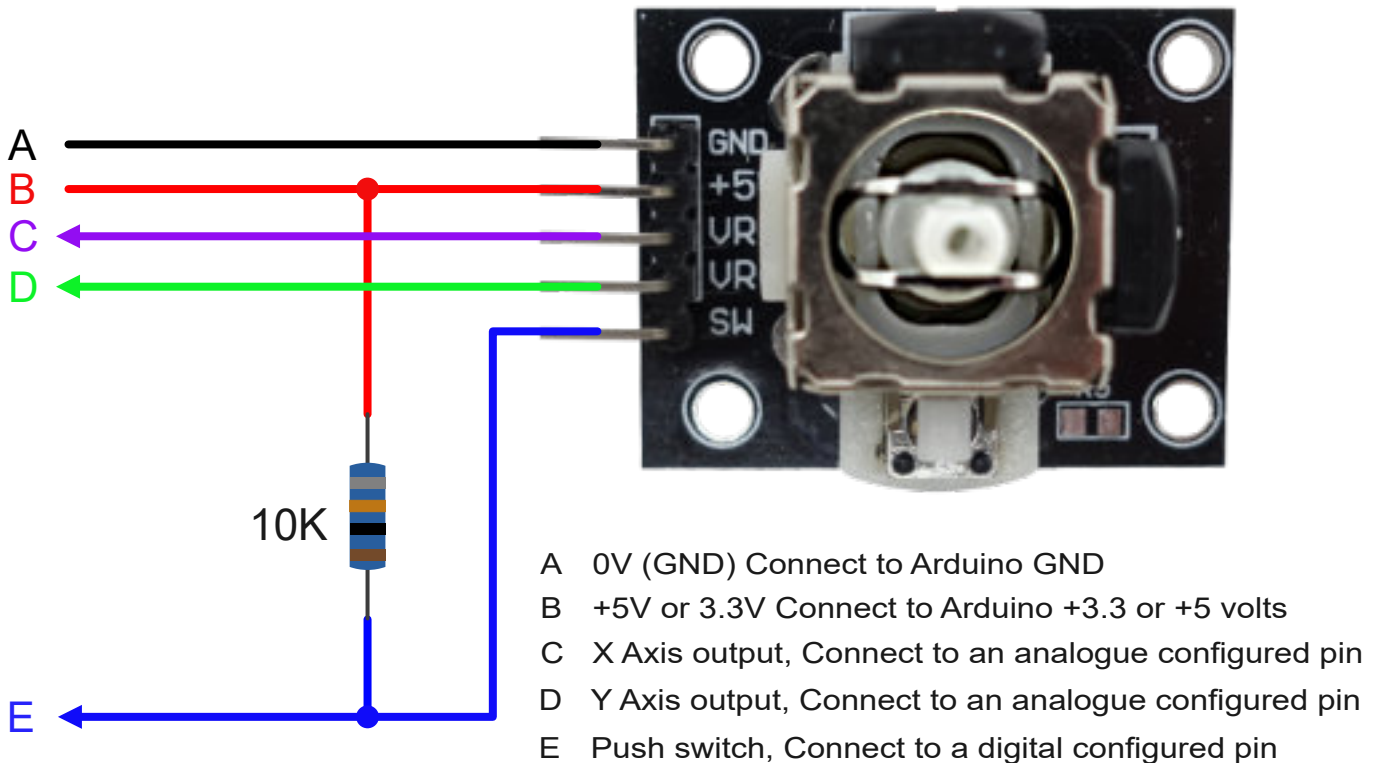


Connections



Description

Connections A & B connect to the Arduino's GND and +5 Volt pins respectively.

Connections C & D are the analogue outputs for the X & Y axis. These will be connected to 2 of the Arduino pins which should be configured as analogue inputs. The voltage on these pins is zero volts when the joystick is pushed all the way to the top or left. The voltage output when the joystick is pushed fully to the bottom or right is equal to the voltage supplied to the module. When the joystick is sitting in its central position, the voltage on the pins is approximately 1.65 or 2.5 volts depending on the supply voltage (3.3 or 5 volts).

Connection E is an open collector output digital signal, this requires a 10K pullup resistor to be connected as per the diagram above. The output should be connected to a digital input pin on the Arduino. The output is +3.3 or +5 volts (depending on the supply voltage) when the switch is off and zero volts when the switch is on (i.e. pushed down).

Note The output voltages may vary slightly to the voltages in the description above.